

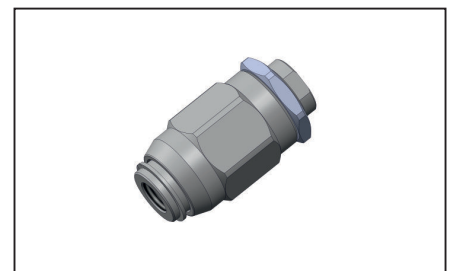
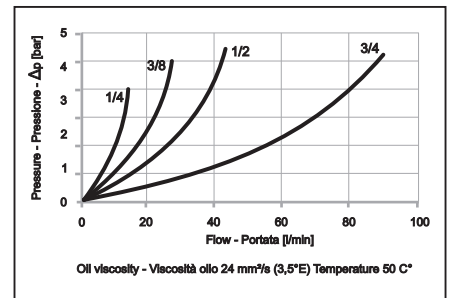
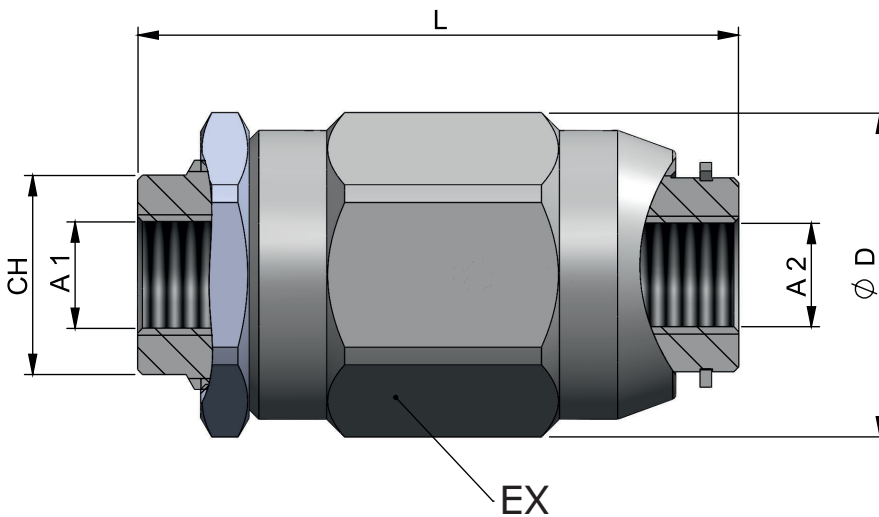
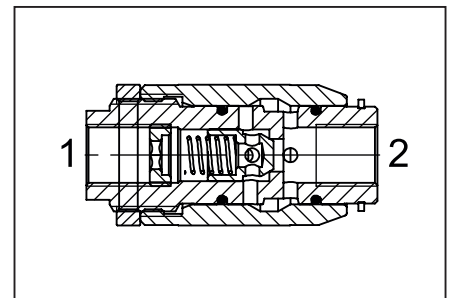
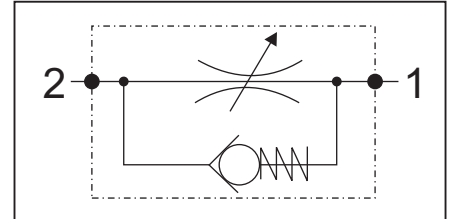
**Unidirectional hexagonal needle valves  
Regolatori di flusso a manicotto unidirezionali**

Rev.01 - 02.2016

**Specification:**

**Specifiche:**

Fluid viscosity:	Viscosità Fluido :	10-550mm <sup>2</sup> /s
Filtration:	Classe di contaminazione:	ISO code 16/13
Fluid temperature:	Temperatura fluido:	-20°C +80°C
Ambient temperature:	Temperatura ambiente:	-20°C +50°C
Guided Poppet	A otturatore conico guidato	ISO code 16/13



- \* Viton O-Rings on request
- \* A richiesta guarnizioni in Viton

**Ordering code example  
Esempio codice ordine**

**21-A-02-A11-3-0-\*\*-0**

Code Codice	Thread V-C Filetto V-C
<b>02</b>	1/4" BSPP
<b>03</b>	3/8" BSPP
<b>04</b>	1/2" BSPP
<b>05</b>	3/4" BSPP

Code Codice	A-1	A-2	D Ø	L	CH	EX	Max Flow Portata Max (l/min)	Weight Peso (kg)	Max.Press. Press.Max (bar)
21-A-02-A11-3-0-02-0	1/4" BSPP	1/4" BSPP	Ø 33,5	62	19	30	15	0,24	350
21-A-02-A11-3-0-03-0	3/8" BSPP	3/8" BSPP	Ø 40,5	73	24	36	35	0,43	350
21-A-02-A11-3-0-04-0	1/2" BSPP	1/2" BSPP	Ø 46	83	30	41	45	0,68	350
21-A-02-A11-3-0-05-0	3/4" BSPP	3/4" BSPP	Ø 60,5	102	36	55	80	1,10	300